

NEXA | www.nexaexperience.com



 **MARUTI SUZUKI**

Ciaz



TAKE THE ROAD UNTRAVELLED

Where some seek the comfortable way, few are drawn towards the unbeaten. They are the ones who disrupt the status-quo, and challenge the unchallenged. All they need is an open road and a will to push through anything that comes their way. For them, Ciaz is the perfect sedan as they travel to places unknown and prepare for what lies ahead. What about you? The world is yours for the taking, what will you challenge?



DEFIES WHAT IT MEANS TO BE A SEDAN

A bold stance and elegant curves are what make Ciaz stand apart from the crowd. With finely crafted elements and an expansive body, it blends sophistication with a design philosophy that is bold and unparalleled, challenging the norms of what it means to be a sedan.



A SPACE WHERE LEGENDS ARE BORN

Just sit back, calm your mind and prepare for whatever comes your way. With a sense of luxury and an ergonomically designed cabin, Ciaz lets nothing stand between you and your leisure. With ample legroom, headroom and shoulder room, at both front and rear, the seats indulge both the driver and passengers with unmatched relaxation. This is how you truly indulge as you set out to seek new horizons.



PERFORMANCE TO CHALLENGE EVERY ROAD

DDiS 200 Diesel Engine

Feel the power of the DDiS 200 diesel engine with Variable Geometry Turbocharger as it takes you towards new destinations. Paired with an Integrated Starter Generator (ISG), it helps improve fuel-efficiency by supplementing the engine's power and enables acceleration. Now there is no stopping you.

K14B VVT Petrol Engine

The advanced technology of the K14B VVT engine delivers a dynamic performance along with great fuel-efficiency. It incorporates a new Cylinder Head and Piston Design for better efficiency and the VVT system optimises intake valve timing for better performance, giving you the power to drive towards any challenge.



UNDERPLAYS CHALLENGES WITH SMART HYBRID TECHNOLOGY

It takes something extraordinary to stand out in the crowd and overcome any hurdle. Enter the Smart Hybrid Technology. This revolutionary technology by Maruti Suzuki pairs the power of DDiS 200 diesel engine with an Integrated Starter Generator (ISG), whose motor function improves fuel-efficiency by supplementing the engines power.

IDLE STOP START

The engine automatically stops when idle and silently starts when the clutch is pressed, increasing the fuel-efficiency.

BRAKE ENERGY REGENERATION

Braking charges the special high capacity battery, which in return assists the engine's idle stop start function.

TORQUE ASSIST FUNCTION

The regeneration of energy assists the torque function of the car. This helps the engine in providing optimal acceleration and performance.

GEAR SHIFT INDICATOR

It prompts the driver to effectively change gears. This helps ensure a smoother ride and better fuel-efficiency.



SHIFT TOWARDS THE UNKNOWN

Whether you're taking on the open roads, or carving through the city streets, shifting gears is easy when you drive the Ciaz. Both the Manual and Automatic transmission have been designed for effortless comfort while driving. Optimised gear ratios and smooth shift mechanisms not only enhance driving dynamics, but also ensure fuel-efficiency. So, go forth and go places.



STAY CONNECTED ON EVERY LEVEL

Take all your entertainment along on every journey. With the SmartPlay Infotainment System, you get a seamless smartphone experience. Appointed with Apple CarPlay® and MirrorLink®, it lets you smoothly enjoy the features of your smartphone. So, relax with your favourite tunes and stay connected everywhere as you take to unexplored roads.



* Apple and iPhone are trademarks of Apple Inc., registered in the U.S. and other countries.
* Apple CarPlay is a trademark of Apple Inc. Apple CarPlay is available in the countries listed in the following link: <http://www.apple.com/ios/feature-availability/#applecarplay-applecarplay>.
* Apple CarPlay is compatible with the iPhone models listed in the following link: <http://www.apple.com/ios/carplay>.



YOUR SAFETY SHIELD FOR THE CHALLENGES AHEAD

NEXA Safety Shield, a collection of advanced features from Maruti Suzuki that adheres to the highest safety standards, is designed to keep you safe in various situations, and prepare for the challenges ahead. So, whenever you take to the open roads, your safety is always assured.



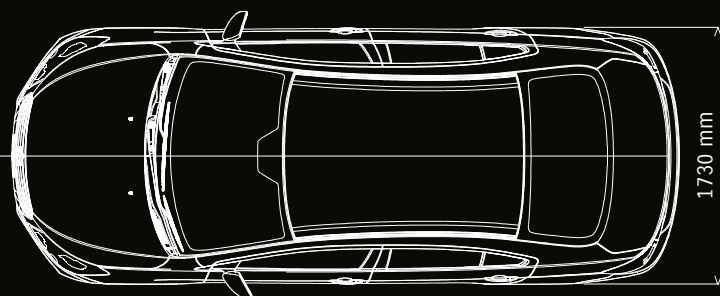
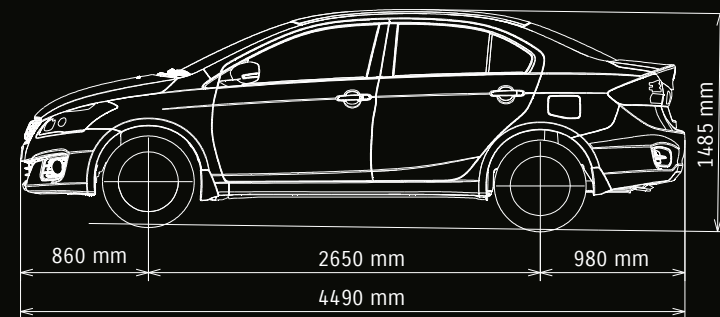
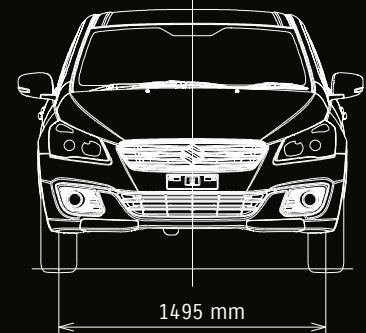
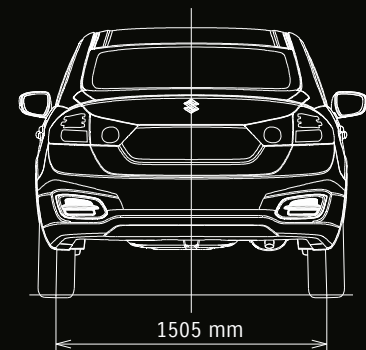
INTUITIVELY DESIGNED FOR YOUR CONVENIENCE

The Ciaz is loaded with features to make it truly a space where you can relax. The interiors are intuitively designed keeping in mind comfort and utility, with features like reverse parking sensor, automatic air conditioner, multi-information LCD screen and a push start button. The door bottle holders, an overhead console with sunglass holder, illuminated console box and front armrest utility box, all combine to give you space options for any need.



TAKE ON ANY CHALLENGE WITH YOUR CHOICE OF COLOUR

1. Nexa Blue (Stargaze)
2. Pearl Metallic Dignity Brown
3. Pearl Sangria Red
4. Metallic Silky Silver
5. Metallic Glistening Gray
6. Pearl Midnight Black
7. Pearl Snow White



ALLOY WHEELS
FOR 195/55 R16 TYRE



ALLOY WHEELS
FOR 185/65 R15 TYRE



STEEL WHEELS WITH FULL WHEEL CAPS
FOR 185/65 R15 TYRE

TECHNICAL SPECIFICATIONS

DIMENSIONS	PETROL	DIESEL SMART HYBRID
Overall Length (mm)	4490	4490
Overall Width (mm)	1730	1730
Overall Height (mm)	1485	1485
Wheelbase (mm)	2650	2650
Boot Space (l)	510*	510*
Turning Radius (m)	5.4	5.4
Seating Capacity	5	5
DRIVE, TRANSMISSION		
Drive System	2WD	2WD
Transmission	5MT/4AT	5MT
ENGINE		
Valve System	DOHC	DOHC
Engine Capacity (cc)	1373	1248
Bore x Stroke (mm)	73 x 82	69.6 x 82
Max. Power (kW/RPM)	68 6000	66 4000
Max. Torque (Nm/RPM)	130 4000	200 1750
Fuel Tank Capacity (l)	43	43
Fuel Efficiency (km/l)**	20.73-MT, 19.12-AT	28.09
Emission Standard	BS IV	BS IV
Idle Stop Start	-	✓
Gear Shift Indicator	-	✓
Brake Energy Regeneration	-	✓
Torque Assist	-	✓
DRIVE PERFORMANCE		
Front Brakes	Ventilated Disc	Ventilated Disc
Rear Brakes	Drum	Drum
Front Suspension	McPherson	McPherson
Rear Suspension	Torsion Beam	Torsion Beam
Tyre Size	185/65 R15 (Steel & Alloy) 195/55 R16 (Alloy)	185/65 R15 (Steel & Alloy) 195/55 R16 (Alloy)
WEIGHTS		
GVW (kg)	1490 (MT)	1595

*VDA Method.

**As Certified by Test Agency Under Rule 115 of CMVR 1989.

Features shown may vary from variant to variant. Car's headlights have been enhanced as per the ambience. Car colour may vary due to printing on paper. Images are used for illustration purposes. Appearance of black glass is due to lighting effect.

FEATURE LIST

	SIGMA	DELTA	ZETA	ALPHA
EXTERIOR	Projector Headlamps	✓	✓	✓
	Alloy Wheels [#]	-	-	185/65 R15
	Wheel Cap	✓	✓	-
	Chrome Front Grille	✓	✓	✓
	Trunk Lid Chrome Garnish	-	-	-
	Door Beltline Garnish	-	-	-
	Glass Antenna	✓	✓	✓
	ORVM (Body Colored & Turn Indicators)	✓	✓	✓
	Body Colored Door Handles	✓	✓	Chrome
	Leather Seat Upholstery ^{##}	-	-	Fabric + Leather
INTERIOR	Leather Wrapped Steering	-	-	✓
	Chrome Garnish (Steering Wheel, Inside Door Handles, AC Louvers Knob, Parking Brake Lever)	✓	✓	✓
	Wooden Finish on I/P Garnish	✓	✓	✓
	Satin Finish on AC Louvers	Front + Center	Front	Front + Rear
	Chrome Finish on Floor Console	-	✓	✓
	MID (Trip Meter, Fuel Consumption & Outside Temperature Display)	✓	✓	✓
	Intelligent Key (Push Start Stop)	-	-	✓
	Keyless Entry	✓	✓	✓
	Power Windows	✓ (Dr. side auto Up/Down with anti Pinch)	✓	✓
	Auto AC	Manual	✓	✓
COMFORT AND CONVENIENCE	Rear AC Vents	✓	✓	✓
	Pollen Filter	✓	✓	✓
	Front Centre Armrest	-	✓ (With utility box)	✓
	Rear Centre Armrest	-	✓ (With cup holders)	✓
	Height Adj. Driver Seat	-	✓	✓
	Rear Sunshade	-	-	✓
	Footwell Lamps (Driver + Passenger side)	-	-	✓
	Rear Reading Lamps	-	-	✓
	Sunglass Holder	-	-	✓
	Electrically Adjustable ORVMs	✓	✓	✓
AUDIO/INFOTAINMENT	Electrically Foldable ORVMs	-	-	✓
	Accessory Socket (Front and Rear)	✓	✓	✓
	Tilt Steering	✓	✓	✓
	Touchscreen SmartPlay System	-	-	✓
	Bluetooth Connectivity	-	✓	✓
	Navigation System	-	-	✓
	Voice Command	-	-	✓
	Audio with CD Player	✓	✓	✓
	Speakers + Tweeters (Nos)	-	4+2	-
	USB Connectivity	✓	✓	✓
SAFETY	Steering Mounted Audio Controls	-	✓	✓
	Steering Mounted Calling Controls	-	✓	✓
	Front Fog Lamp	-	✓	✓
	Rear Defogger	✓	✓	✓
	Auto Day/Night IRVM	Manual	Manual	✓ (With camera display)
	Reverse Parking Sensor	-	✓	✓
	Reverse Parking Camera	-	-	✓
	Engine Immobilizer	✓	✓	✓

LEGEND: (✓) Available; (-) Not Available

[#]Spare wheel material is steel & spare tyre size is 185/65 R15.

^{##}Some parts of the Leather Appointed Seat Upholstery will contain man-made material. Automatic Transmission is available in Delta, Zeta and Alpha variants.

NEXA Safety Shield

Standard Across All Variants

- SUZUKI-TECT BODY
- DUAL FRONT AIRBAGS
- ABS WITH EBD
- SEAT BELT PRE-TENSIONERS WITH FORCE SAFE LIMITERS
- ISOFIX CHILD SEAT ANCHORAGES
- PEDESTRIAN PROTECTION COMPLIANCE
- FULL FRONTAL IMPACT COMPLIANCE, FRONTAL OFFSET IMPACT COMPLIANCE, SIDE IMPACT COMPLIANCE

Maruti Suzuki India Limited reserves the right to change, without notice, price, colours, equipment specifications, and models and also to discontinue models and/or replace any part or accessory with any other product. Accessory and feature shown in the pictures may not be a part of standard equipment and will differ according to the variant. Any offers made will be subject to availability of the product. For more details, contact your nearest NEXA.